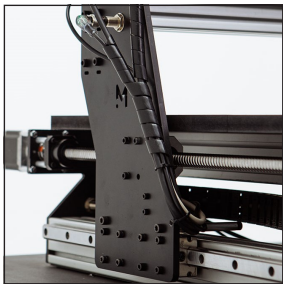


MEKANiKA

PRO - A robust CNC machine for precise milling

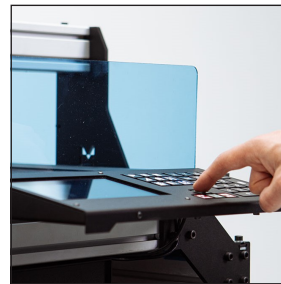
With PRO, you get a robust and powerful machine that you will be able to use for hours every day. Its ballscrews and prismatic linear rails on every axis gives it superior accuracy, meaning it will adapt to your needs and provide you with precise milling, no matter the job or material.



Double prismatic rail HGR20 and 16mm ball screws



Available in three sizes - up to 1030 x 1030mm working area to mill wood, aluminum, plastic and fiberboards



Onboarded computer and intuitive interface, with a touch screen and numerical pad



5-year warranty & dedicated tech support



As the owner of a Pro MK2 size L, I am absolutely conquered by this machine. [...] An excellent machine, a simple assembly (the online doc is a model of its kind, impossible to make a mistake), quality materials, everything breathes quality and robustness. I'm just starting out but the possibilities are limitless!

Stéphane MUNOS

Carpenter

What you get with every Mekanika machine

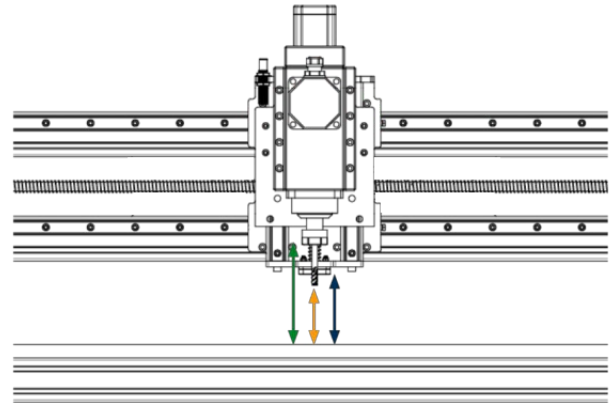
- **Reliability:** easy to use, high-quality machines you can rely on.
- **Control:** open-source plans for easy customization and repair.
- **Modularity:** bring in your machine through the front door of your workshop.
- **Tutorials:** learn from our CNC video tutorials to get your projects to the next level.
- **Tech support:** our team of experts is located in Belgium and will answer your questions within a business day.

PRO technical specifications



Size & Performance

Work surface (3 sizes available)	S: 630x630 mm M: 630x1030 mm L: 1030x1030 mm
Z-clearance height	Up to 133mm
Max travel speed	10,000 mm/min
Precision	< 0.1 mm
Spindle	<ul style="list-style-type: none"> • 1400W DI - ER16 collets - Automatic • 2.2 kW VFD - ER20 collets - Frequency-driven



- **133 mm** > Maximum distance available between the spoilerboard and the spindle.
 - **65 mm** > Maximum stock thickness that can be entirely cut on the CNC Fab.
 - **92 mm** > Maximum distance available between the spoilerboard and the X-axis carriage.
- Note:** the spoilerboard shown in this drawing is the standard Mekanika kit, using 18mm MDF boards.

Electrical

Connectivity	WiFi & Ethernet Bluetooth
Interface	- 7" TFT IPS capacitive touchscreen - Custom Bluetooth keypad
Power consumption	1x 230VAC (max. power: 650W without spindle)

Looking to add a PRO to your workshop?

From **4702€** excl. taxes

